

WISC 2014
 Rio de Janeiro, Brazil
 6-9 December 2014



December 6-9, 2014
 SulAmérica Convention Center
 Rio de Janeiro - Brazil

Send this form to
 fax +55 (21) 3432-5353

tecnica@standsbr.com

Remember to order in advance to save time, money and to make sure of the availability of services and/or products. Place your order now!

Include this form with your orders >>>

Orders received without payment or after the discount price deadline date will be charged as standard price.

Form 9

Furnishing & Accessories

Applicant's Information

Exhibitor's name:	Booth #:
Applicant's name:	
Phone # (w/ area code):	extension #:
Applicant's e-mail:	Signature:

Order Summary (see subtotals on pages 2-5)

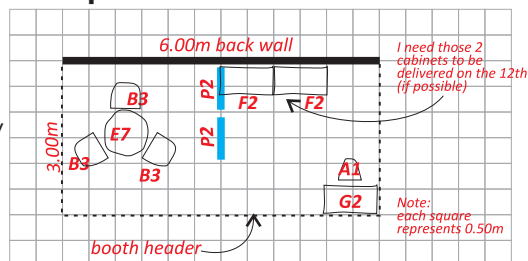
A = Seats	E = Accessories	Subtotal A + B + C + D + E + F + G	= \$
B = Tables	F = Panels & Doors	5% tax	= \$
C = Plinths	G = Electrical goods & outlets	Total (in BRL)	= \$
D = Counters & Showcases			

Location (make a sketch of your booth)

References:

- * Sketching up is **mandatory for Panels & Doors orders**, otherwise those items will not be installed
- * Furnishing orders will be delivered and displayed as per the sketches, otherwise stacked up somewhere within the booth area
- * We encourage you to **write comments** or **highlight** w/ color things you may consider important
- * Use same **product code** in reference location (**see example**)
- * **Mark booth boundaries:** walls w/ continuous line (————) and headers w/ dashed lines (-----)
- * Indicate drawing scale if using a grid reference other than 1 = to 1x1m

Example of sketch:



If you have questions or need assistance with any items not listed, please call **+55 (21) 3432-5353** and ask for your Exhibitor Services Representative or e-mail us to **tecnica@standsbr.com**. We'll get back to you shortly!
 By submitting this form or ordering materials or services from **Stands**, you agree to be bound by all **Terms & Conditions** included in your **Service Manual**.

Official contractor:

Stands Projetos e Decorações Ltda
 Estrada da Ligação, 1047
 Taquara, Rio de Janeiro, RJ
 22.713-470, Brazil



WISC 2014
Rio de Janeiro,
Brazil
6-9 December 2014



December 6-9, 2014
SulAmérica Convention Center
Rio de Janeiro - Brazil

page
2/5

Submission date dd-mm-YYYY

Deadline date

NOV 07th 2014

Send this form to
fax +55 (21) 3432-5353

tecnica@standsbr.com

Remember to order in advance to save time, money and to make sure of the availability of services and/or products. Place your order now!

Include this form with your orders

Orders received without payment or after the discount price deadline date will be charged as standard price.



Form 9



A1



A2



B1



B2



B3



B4



B5



B6

Seats

Item	Dimensions (cm)			Color	Qty.	Price		Total (in BRL) Brazilian Real
	Width	Depth	Height			discount	standard	
A1 Tony stool with seatback	42	41	88	white		\$ 46,00	\$ 60,00	= \$
A2 Decô stool, white	30	30	45/60	white		\$ 102,00	\$ 133,00	= \$
B1 Standard chair	42	45	88	black		\$ 21,00	\$ 27,00	= \$
B2 Tony chair	46	52	86	white		\$ 55,00	\$ 72,00	= \$
B3 Darlene chair with arms	53	67	91	white		\$ 93,00	\$ 121,00	= \$
B4 Swivel chair	56	67	83	black		\$ 40,00	\$ 52,00	= \$
B5 Bibi loveseat	130	63	72	white		\$ 437,00	\$ 568,00	= \$
B6 Bibi armchair	66	63	72	white		\$ 281,00	\$ 365,00	= \$
Subtotal A								= \$



Tables

Item	Dimensions (cm)			Color	Qty.	Price		Total (in BRL) Brazilian Real
	Width	Depth	Height			discount	standard	
E1 Octanorm® corner table	54	54	46	white		\$ 62,00	\$ 81,00	= \$
E2 Octanorm® coffee table	103	54	46	white		\$ 87,00	\$ 113,00	= \$
E3 Maxima® corner table	50	50	43	glass		\$ 77,00	\$ 100,00	= \$
E4 Maxima® coffee table	100	50	43	glass		\$ 93,00	\$ 121,00	= \$
E5 Maxima® corner table	50	50	43	white		\$ 77,00	\$ 100,00	= \$
E6 Maxima® corner table	100	50	43	white		\$ 93,00	\$ 121,00	= \$
E7 Round meeting table	90	90	74	glass		\$ 102,00	\$ 133,00	= \$
E8 Workstation table	100	60	74	white		\$ 78,00	\$ 101,00	= \$
E9 Pub table	60	60	100	white		\$ 140,00	\$ 182,00	= \$
Subtotal B								= \$

If you have questions or need assistance with any items not listed, please call +55 (21) 3432-5353 and ask for your Exhibitor Services Representative or e-mail us to tecnica@standsbr.com. We'll get back to you shortly!
By submitting this form or ordering materials or services from **Stands**, you agree to be bound by all **Terms & Conditions** included in your **Service Manual**.

Official contractor:

Stands Projetos e Decorações Ltda
Estrada da Ligação, 1047
Taquara, Rio de Janeiro, RJ
22.713-470, Brazil



WISC 2014
Rio de Janeiro,
Brazil
6-9 December 2014



December 6-9, 2014
SulAmérica Convention Center
Rio de Janeiro - Brazil

page
3/5

Submission date dd-mm-YYYY

Deadline date

NOV 07th 2014

Send this form to
fax +55 (21) 3432-5353

tecnica@standsbr.com

Remember to order in advance to save time, money and to make sure of the availability of services and/or products. Place your order now!

Include this form with your orders

Orders received without payment or after the discount price deadline date will be charged as standard price.



Form 9



F1



F2



F3



F4



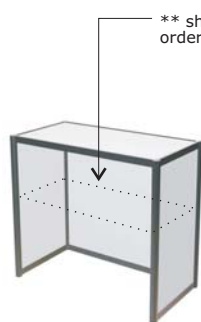
F5



G1

Plinths

Item	Dimensions (cm)			Color	Qty.	Price		Total (in BRL) Brazilian Real
	Width	Depth	Height			discount	standard	
F1 Octanorm® plinth	54	54	46	white		\$ 46,00	\$ 60,00	= \$
F2 Octanorm® display	54	54	46	white		\$ 62,00	\$ 81,00	= \$
F3 Octanorm® plinth	103	103	46	white		\$ 59,00	\$ 77,00	= \$
F4 Octanorm® display	103	103	46	white		\$ 78,00	\$ 101,00	= \$
F5 Octanorm® TV/DVD rack	103	54	105	white		\$ 124,00	\$ 161,00	= \$
G1 Octanorm® table	103	54	105	white		\$ 91,00	\$ 118,00	= \$
Subtotal C								= \$



G2

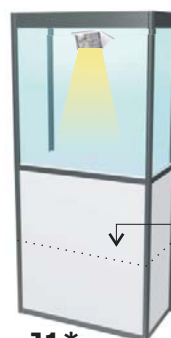


G3

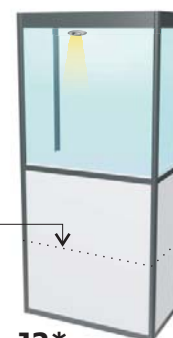
w/
lockable
doors



G4



J1*
c/ spot HQI
de 150W embudido



J2*
c/ spot
de 100W embudido

* Customer must fill out **Form 03** to power the spotlights

** order shelves separately on page 4 of this Form

Counters & Showcases

Item	Dimensions (cm)			Color	Qty.	Price		Total (in BRL) Brazilian Real
	Width	Depth	Height			discount	standard	
G2 Octanorm® counter	103	54	105	white		\$ 107,00	\$ 139,00	= \$
G3 Low cabinet w/ doors	90	45	76	white		\$ 201,00	\$ 261,00	= \$
G4 Octanorm® low showcase	103	54	105	white		\$ 246,00	\$ 320,00	= \$
J1 Octa® showcase with HQI	103	54	220	white		\$ 559,00	\$ 727,00	= \$
J2 Showcase with recessed spotlight	103	54	220	white		\$ 523,00	\$ 680,00	= \$
Subtotal D								= \$

If you have questions or need assistance with any items not listed, please call +55 (21) 3432-5353 and ask for your Exhibitor Services Representative or e-mail us to tecnica@standsbr.com. We'll get back to you shortly!
By submitting this form or ordering materials or services from **Stands**, you agree to be bound by all **Terms & Conditions** included in your **Service Manual**.

Official contractor:

Stands Projetos e Decorações Ltda
Estrada da Ligação, 1047
Taquara, Rio de Janeiro, RJ
22.713-470, Brazil



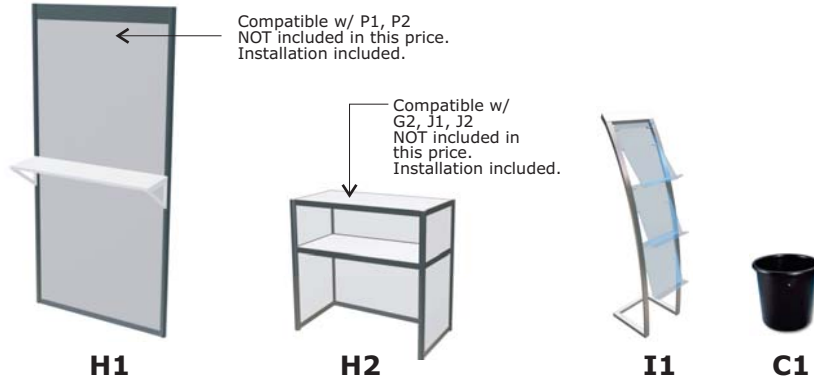
www.stands-br.com

Include this form with your orders

Orders received without payment or after the discount price deadline date will be charged as standard price.

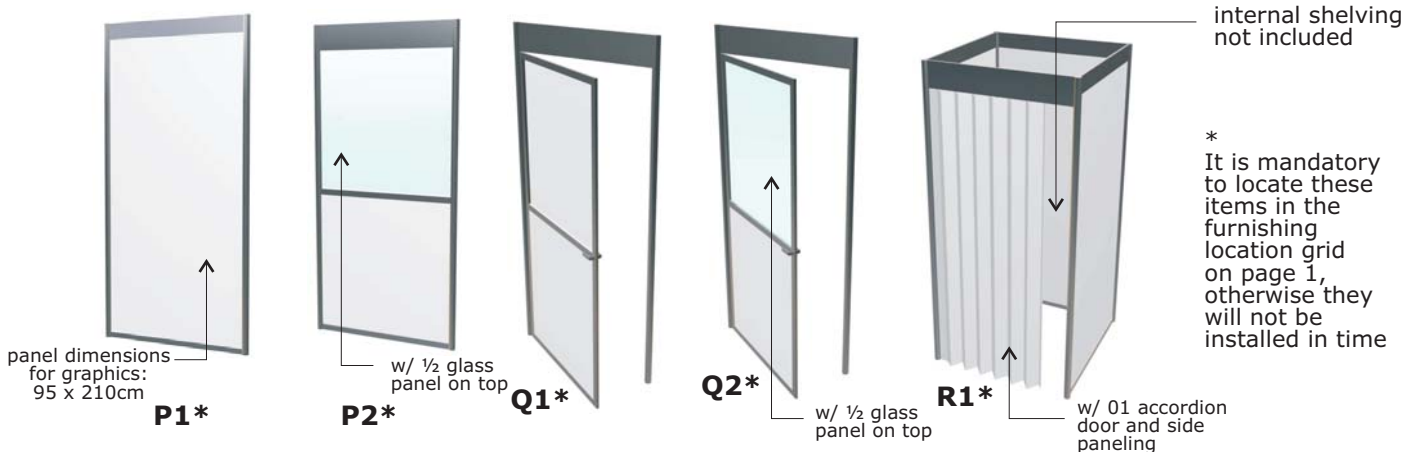


Form 9



Accessories

Item	Dimensions (in cm)			Color	Qty.	Price		Total (in BRL) Brazilian Real
	Width	Depth	Height			discount	standard	
H1 Shelf w/ brackets	95	30	-	white		\$ 35,00	\$ 45,00	= \$
H2 Extra Octanorm® shelf	95	45	-	white		\$ 45,00	\$ 59,00	= \$
I1 Literature rack w/ 3 trays	31	33	130	silver		\$ 100,00	\$ 130,00	= \$
C1 Wastepaper basket	28	28	34	black		\$ 34,00	\$ 44,00	= \$
Subtotal E								= \$



Panels/Doors

Item	Dimensions (in cm)			Color	Qty.	Price		Total (in BRL) Brazilian Real
	Width	Depth	Height			discount	standard	
P1 Octanorm® panel	103	4	220	white		\$ 91,00	\$ 118,00	= \$
P2 Octanorm® 1/2 glass panel	103	4	220	white		\$ 102,00	\$ 133,00	= \$
Q1 Octanorm® door	95	4	202	white		\$ 133,00	\$ 173,00	= \$
Q2 Octanorm® 1/2 glass door	95	4	202	white		\$ 155,00	\$ 202,00	= \$
R1 Octanorm® storage room	103	103	220	white		\$ 225,00	\$ 293,00	= \$
Subtotal F								= \$

Note: Installation and dismantle included.

If you have questions or need assistance with any items not listed, please call +55 (21) 3432-5353 and ask for your Exhibitor Services Representative or e-mail us to tecnica@standsbr.com. We'll get back to you shortly!
By submitting this form or ordering materials or services from **Stands**, you agree to be bound by all **Terms & Conditions** included in your **Service Manual**.

Official contractor:

Stands Projetos e Decorações Ltda
Estrada da Ligação, 1047
Taquara, Rio de Janeiro, RJ
22.713-470, Brazil

stands
www.stands-br.com

WISC 2014
Rio de Janeiro,
Brazil
6-9 December 2014



December 6-9, 2014
SulAmérica Convention Center
Rio de Janeiro - Brazil

page
5/5

Submission date dd-mm-YYYY

Deadline date

NOV 07th 2014

Send this form to
fax +55 (21) 3432-5353

tecnic@standsbr.com

Remember to order in advance to save time, money and to make sure of the availability of services and/or products. Place your order now!

Include this form with your orders

Orders received without payment or after the discount price deadline date will be charged as standard price.



Form 9

check show supplied voltage,
stated on **Form 6**,
and bring your own adapter
and converter if needed



S1*



S2*



S3*

Compatible w/ P1, P2, R1
NOT included in this price.



T1*



T2*

fridge brand,
model and
dimensions
may vary

*
Customer
must fill out
Form 5
to power
fridges,
spotlights
and/or
sockets

**
It is mandatory
to locate those
items in the
furnishing
location grid
on page 1,
otherwise they
will not be
installed in time

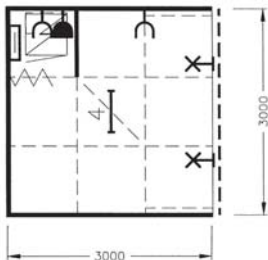
Electrical goods & outlets

Item	Dimensions (cm)			Color	Qty.	Price		Total (in BRL) Brazilian Real
	Width	Depth	Height			discount	standard	
S1 Up-to-500W socket	5	7	2	white		\$ 32,00	\$ 42,00	= \$
S2 *Above-500W socket	5	7	2	white		\$	\$	= \$
S3 100W Spotlight	31	33	-	white		\$ 32,00	\$ 42,00	= \$
T1 140-liter Fridge (for a bar)	62	68	78	white		\$ 206,00	\$ 268,00	= \$
T2 240-liter Fridge	74	68	190	white		\$ 337,00	\$ 438,00	= \$
Subtotal G								= \$

⚠ Notes:

- 1) All rentals, **prices for the whole period of the event**, includes delivery, cabling, installation, maintenance and removal.
- 2) Sketching up is **mandatory for Electrical goods & outlets orders**, otherwise those items will not be installed. Use grid on page 1. Use references suggested below.
- 3) Contact **Stands®** if you need over-500W sockets. Some restrictions and extra cost may apply.

Example of sketch:



References:

- ⌋ = **S1**
⌋ = **S2** (over 500W)
⌋X = **S3**

If you have questions or need assistance with any items not listed, please call **+55 (21) 3432-5353** and ask for your Exhibitor Services Representative or e-mail us to **tecnic@standsbr.com**. We'll get back to you shortly!
By submitting this form or ordering materials or services from **Stands**, you agree to be bound by all **Terms & Conditions** included in your **Service Manual**.

Official contractor:

Stands Projetos e Decorações Ltda
Estrada da Ligação, 1047
Taquara, Rio de Janeiro, RJ
22.713-470, Brazil

stands
www.stands-br.com